
GARDNER DENVER®

300FWF997 Rev G
April 2007

WELL SERVICING PUMP

MODEL

GD-2500Q QUINTUPLEX

**POWER END
PARTS LIST**

Gardner

Denver

ECN 1035672

GD-2500Q WELL SERVICING PUMP

MAINTAIN PUMP RELIABILITY AND PERFORMANCE WITH GENUINE GARDNER DENVER PARTS AND SUPPORT SERVICES

Gardner Denver® genuine pump parts are manufactured to design tolerances and are developed for optimum dependability. Design and material innovations are the result of years of experience with hundreds of different pump applications. Reliability in materials and quality assurance is incorporated in our genuine replacement parts.

Your authorized Gardner Denver Sales Office offers all the backup you'll need. The Fort Worth Manufacturing Facility maintains a large inventory of genuine parts.

Gardner Denver supports your needs with these services:

1. Trained parts specialists to assist you in selecting the correct replacement parts.
2. Repair and maintenance kits designed with the necessary parts to simplify servicing your pump.

Authorized service technicians are factory trained and skilled in pump maintenance and repair. They are ready to respond and assist you by providing fast, expert maintenance and repair services.

For the location of your local authorized Gardner Denver distributor, refer to the yellow pages of your phone directory or contact:

Factory (Tulsa):

Gardner Denver Well Servicing Pumps
4747 South 83rd East Avenue
Tulsa, Oklahoma 74145

Phone: (918) 664-1151
(800) 738-8099

Fax: (918) 664-6225

Service Center (Odessa):

Chaparral
2121 West 44th Street
Odessa, Texas 79768

Phone: (432) 366-5433
(800) 368-1134

Fax: (432) 363-9940

Factory (Ft. Worth):

Geoquip
7533 Kathy Lane
Ft. Worth, Texas 76126

Phone: (817) 249-6400
(800) 824-0271

Fax: (817) 249-6401

INSTRUCTIONS FOR ORDERING REPAIR PARTS

When ordering parts, specify Pump MODEL and SERIAL NUMBER (see nameplate on unit). The Serial Number is also stamped on top of the cylinder end of the frame (cradle area).

All orders for Parts should be placed with the Tulsa or Ft. Worth facility.

Where NOT specified, quantity of parts required per pump or unit is one (1); where more than one is required per unit, quantity is indicated in parenthesis. **SPECIFY EXACTLY THE NUMBER OF PARTS REQUIRED.**

TABLE OF CONTENTS

POWER END ASSEMBLY DRAWINGS	1
GD-2500Q POWER END ASSEMBLY (300FWF2003 and 301FWF2003)	4
GD-2500Q POWER END ASSEMBLY (403FWF2003 and 404FWF2003)	7

LIST OF FIGURES

FIGURE 1: GD-2500Q POWER END, TOP VIEW	1
FIGURE 2: GD-2500Q POWER END, SECTION A-A.....	2
FIGURE 3: GD-2500Q POWER END, SECTION B-B.....	3

POWER END ASSEMBLY DRAWINGS

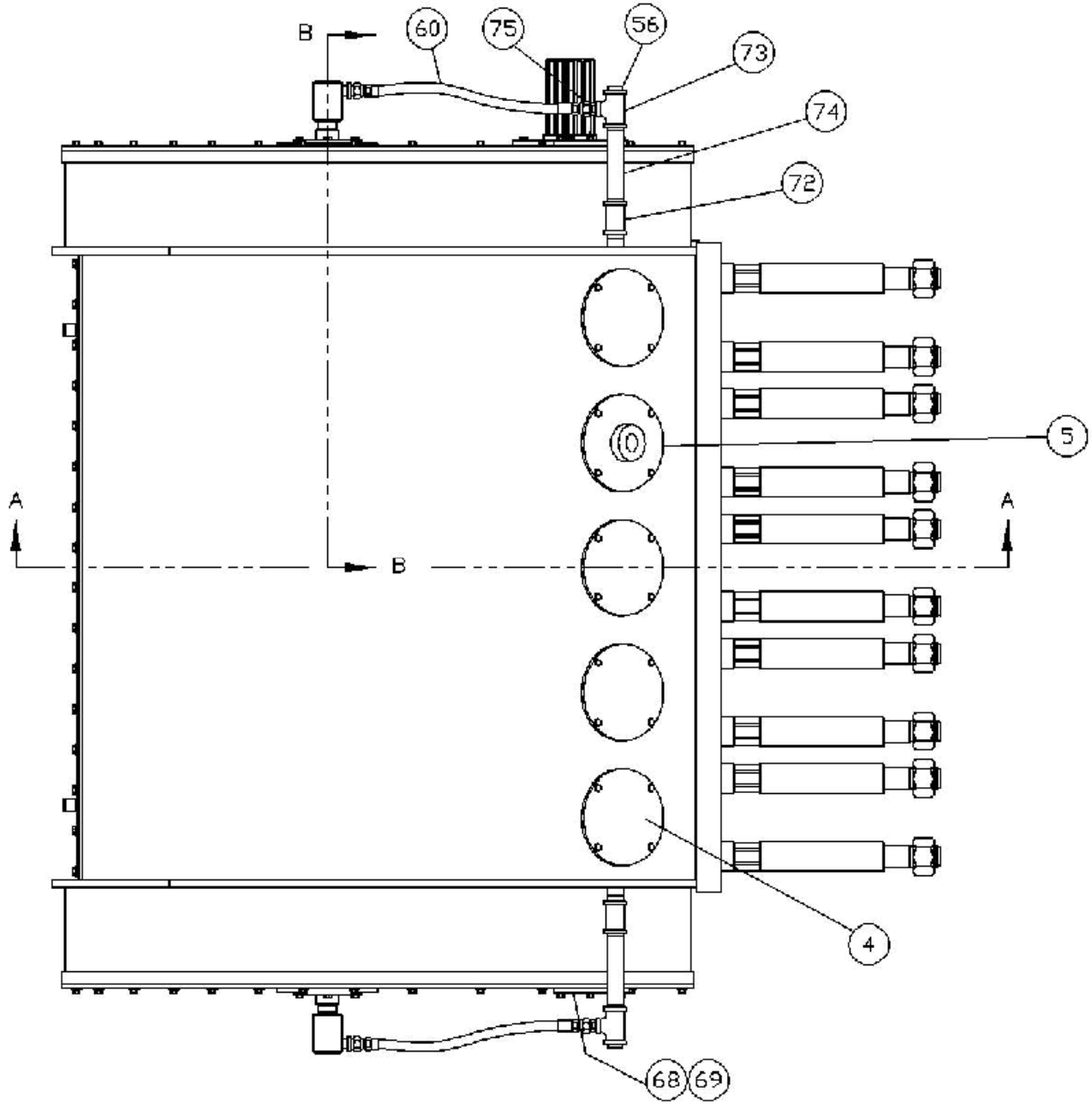


FIGURE 1: GD-2500Q POWER END, TOP VIEW

REF: 300FWF810

Power End Assembly Drawings (Continued)

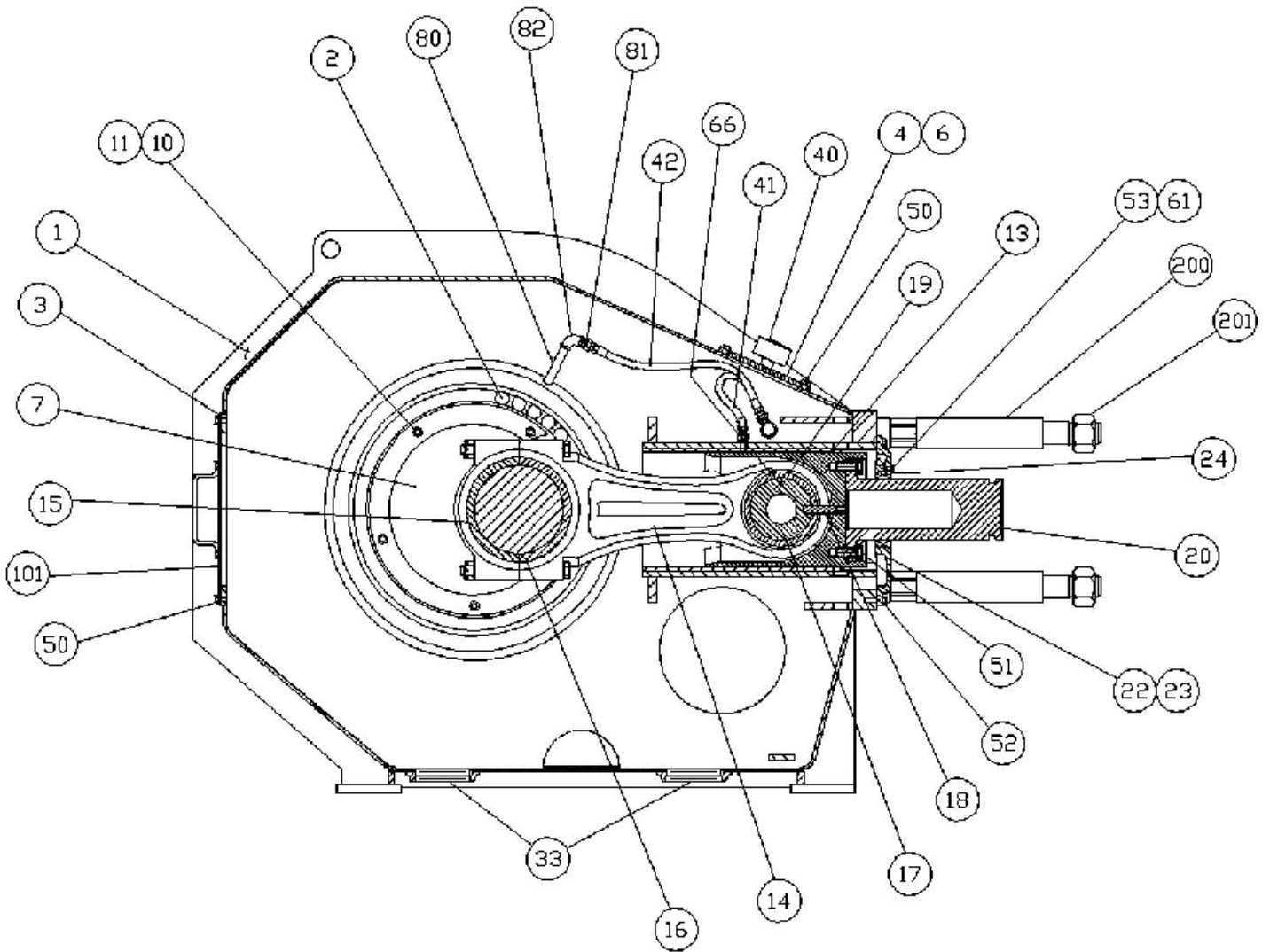


FIGURE 2: GD-2500Q POWER END, SECTION A-A

REF: 300FWF810

Power End Assembly Drawings (Continued)

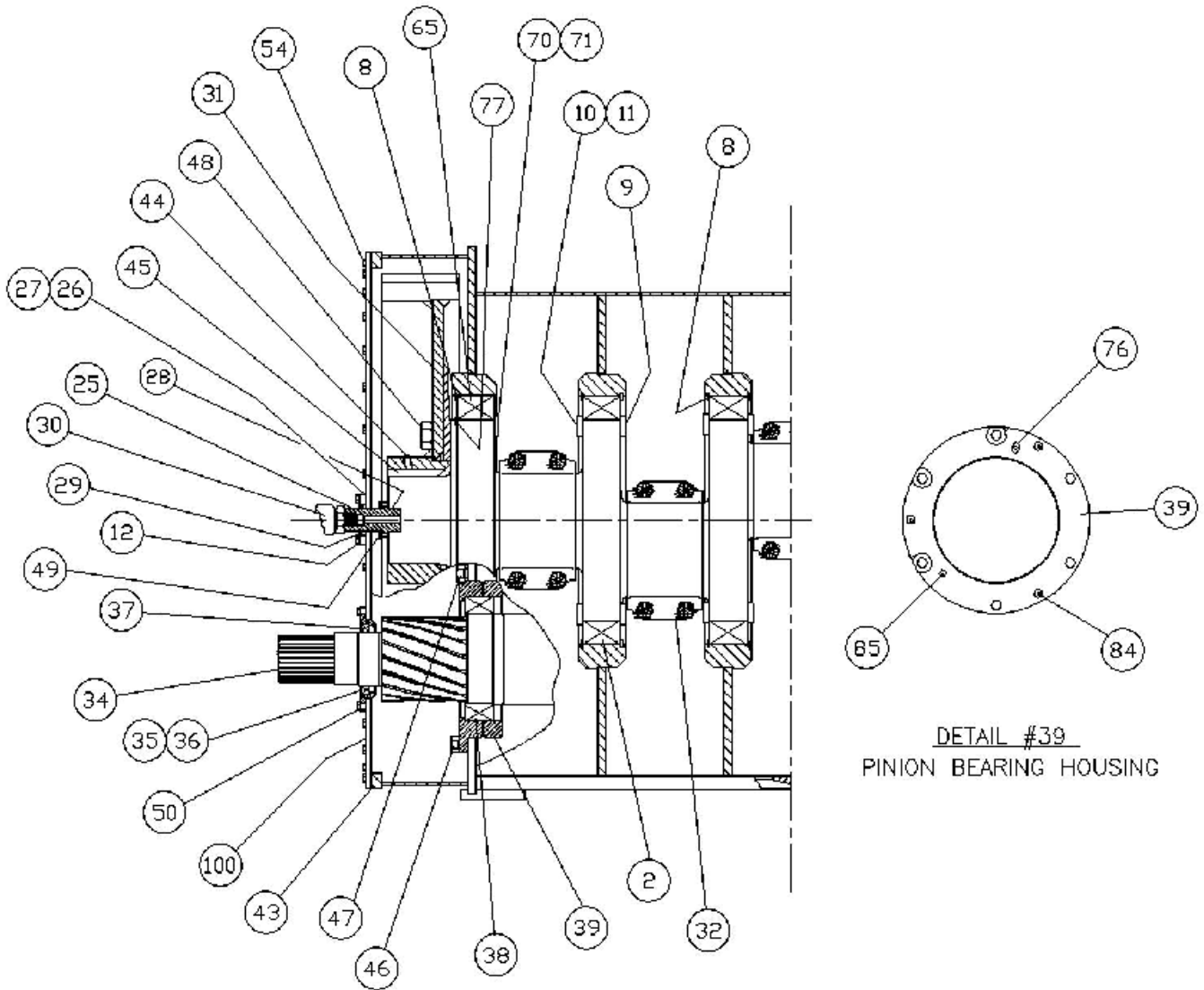


FIGURE 3: GD-2500Q POWER END, SECTION B-B

REF: 300FWF810

GD-2500Q POWER END ASSEMBLY (300FWF2003 and 301FWF2003)

Ref No.	Name of Part	Qty.	Part No.
1	MAIN FRAME (*Includes Items #100, 101, and 102)	1	300FWF001
2	MAIN BEARING	4	925SH01-12
3	GASKET, REAR COVER	1	PP1027495
4	TOP COVER	4	075234
5	COVER, BREATHER FILTER	1	075262
6	GASKET, TOP COVER	5	065238
7	CRANKSHAFT	1	PP1006018
8	RETAINING RING, MAIN BEARING OUTSIDE	10	926SH01-7
9	MAIN BEARING RETAINER (Tapped)	4	PP1005222
10	MAIN BEARING RETAINER (Counter sunk)	4	PP1005221
11	SCREW, FLAT SOCKET HEAD	20	75LM276
12	CAP SCREW	8	75P56
13	CROSSHEAD	5	300FWF005
14	ROD, CONNECTING	5	SEE PAGE 10 & 11
15	CONNECTING ROD BEARING	5	PP1003109
16	CONNECTING ROD BEARING	5	PP1003108
17	WRIST PIN	5	PP1004848
18	KEEPER, WRIST PIN	10	100915
19	BUSHING, WRIST PIN	5	PP1007745
20	PONY ROD	5	100025
22	SEAL HOUSING, PONY ROD	5	100682
23	GASKET, PONY ROD SEAL HOUSING	5	100680
24	SEAL, PONY ROD OIL	5	201OPB199
25	ADAPTOR, ROTARY UNION	2	342-A-74
26	HOUSING, ROTARY ADAPTOR SEAL	2	100960
27	GASKET, ROTARY ADAPTOR SEAL HOUSING	2	100035
28	O-RING, ROTARY ADAPTOR	2	901SH05-223
29	OIL SEAL, ROTARY ADAPTOR	2	100067
30	UNION, ROTARY	2	922PN01
31	BULL GEAR SET	1	302THD280
32	COTTER PIN	20	62E7
33	PLUG, PIPE (For Shipment Only)	2	078247

GD-2500Q POWER END ASSEMBLY (300FWF2003 and 301FWF2003)- CONTINUED

Ref No.	Name of Part	Qty.	Part No.
34	PINION GEAR OPTIONS: (NEXT 2 ITEMS)		
	PINION GEAR, 6.353:1 SPLINED OPTION	1	300FWF181
	PINION GEAR, 6.353:1 KEYED OPTION (*Requires Item #500)	1	301FWF181
35	GASKET, PINION SHAFT SEAL RETAINER	1	065259
36	CARRIER, PINION SHAFT SEAL	1	300THD1148
37	SEAL, PINION SHAFT	1	60G60
38	ROLLER BEARING	2	925SH01-13
39	HOUSING, PINION BEARING	2	301FWF006
40	CAP, FILTER BREATHER	1	081261
41	HOSE ASSEMBLY	5	082277
42	HOSE ASSEMBLY	6	082283
43	GASKET, BULL GEAR HOUSING	2	351662
44	SET SCREW	2	26029
45	KEY, BULL GEAR	2	100033
46	HEX CAP SCREW	6	029236
47	HEX CAP SCREW	6	029237
48	HEX CAP SCREW	8	029235
49	CAP SCREW	8	454VP034-006
50	SCREW, FLANGED HEAD	90	75K48
51	CAP SCREW	30	103295
52	CAP SCREW	32	75P55
53	ROUND HEAD SCREW	15	120173
54	SCREW, FLANGED HEAD	78	75LM51
56	PIPE PLUG	2	64AA1
60	HOSE ASSEMBLY, ROTARY UNION TO LUBE PIPE	2	082281
61	RETAINER PLATE	5	PP1004127
62	NAME PLATE (Not Shown)	1	083105
63	SCREW, DRIVE NAME PLATE (Not Shown)	4	75LM199
65	MAIN BEARING (Fixed)	2	301THD1466
66	PLUG, ALLEN HEAD	5	103370
68	COVER, GEAR INSPECTION	2	075256
69	GASKET, GEAR INSPECTION COVER	2	065257
70	BEARING RETAINER	2	PP1005223
71	SCREW, FLAT SOCKET HEAD	10	75K28
72	COUPLING, PIPE	2	64BK6

GD-2500Q POWER END ASSEMBLY (300FWF2003 and 301FWF2003)- CONTINUED

Ref No.	Name of Part	Qty.	Part No.
73	TEE, 1" NPT X 1/2" NPT REDUCING	2	082268
74	PIPE NIPPLE	2	63H11
75	ADAPTOR, NPT TO JIC	2	082274
76	SPRAY NOZZLE	2	082244
77	RETAINING RING, MAIN BEARING INSIDE	2	926SH01-1
80	NIPPLE, PIPE	6	082271
81	ADAPTER, NPT TO JIC	13	082275
82	ELBOW, NPT TO JIC 45 DEGREE	6	29Z229
83	ELBOW, 90 DEGREE NPT TO JIC (Not Shown)	7	5018198
84	SET SCREW	6	76F3
85	PIPE PLUG	2	415649000
88	HOSE ASSEMBLY, PINION SPRAY NOZZLE (Not Shown)	2	082280
92	SHIM SET, PINION 0.005" (Not Shown)	4	PP1005668
93	SHIM SET, PINION 0.015" (Not Shown)	2	PP1005669
94	SHIM SET, PINION 0.030" (Not Shown)	2	PP1005670
100	COVER, GEAR HOUSING (*Included in Item #1)	2	075245
101	REAR COVER (*Included in Item #1)	1	301FWF225
102	DOWEL PIN, FRAME COVER (*Included in Item #1 – Not Shown)	6	62M82
200	STAY ROD OPTIONS: (NEXT 2 ITEMS)		
	STAY ROD (*Standard)	20	300THD409
	STAY ROD (*Heavy Duty – Not Shown)	20	PP1000477
201	HEX NUT	20	50AW55
400	TACK DRIVE HOUSING (Optional – Not Shown)	1	100207
401	TACK DRIVE HOUSING GASKET (Optional – Not Shown)	1	100208
402	TACK DRIVE CABLE (Optional – Not Shown)	1	100209
500	KEY, PINION (Used on keyed pinion option only)	1	103125

GD-2500Q POWER END ASSEMBLY (403FWF2003 and 404FWF2003)

Ref No.	Name of Part	Qty.	Part No.
1	MAIN FRAME (*Includes Items #100, 101, and 102)	1	300FWF001
2	MAIN BEARING	4	925SH01-12
3	GASKET, REAR COVER	1	PP1027495
4	TOP COVER	4	075234
5	COVER, BREATHER FILTER	1	075262
6	GASKET, TOP COVER	5	065238
7	CRANKSHAFT	1	PP1006018
8	RETAINING RING, MAIN BEARING OUTSIDE	10	926SH01-7
9	MAIN BEARING RETAINER (Tapped)	4	PP1005222
10	MAIN BEARING RETAINER (Counter sunk)	4	PP1005221
11	SCREW, FLAT SOCKET HEAD	20	75LM276
12	CAP SCREW	8	75P56
13	CROSSHEAD	5	300FWF005
14	ROD, CONNECTING	5	SEE PAGE 10 &11
15	CONNECTING ROD BEARING	5	PP1003109
16	CONNECTING ROD BEARING	5	PP1003108
17	WRIST PIN	5	PP1004848
18	KEEPER, WRIST PIN	10	100915
19	BUSHING, WRIST PIN	5	PP1007745
20	PONY ROD	5	100025
22	SEAL HOUSING, PONY ROD	5	100682
23	GASKET, PONY ROD SEAL HOUSING	5	100680
24	SEAL, PONY ROD OIL	5	201OPB199
25	ADAPTOR, ROTARY UNION	2	342-A-74
26	HOUSING, ROTARY ADAPTOR SEAL	2	100960
27	GASKET, ROTARY ADAPTOR SEAL HOUSING	2	100035
28	O-RING, ROTARY ADAPTOR	2	901SH05-223
29	OIL SEAL, ROTARY ADAPTOR	2	100067
30	UNION, ROTARY	2	922PN01
31	BULL GEAR SET	1	305THD280
32	COTTER PIN	20	62E7
33	PLUG, PIPE (For Shipment Only)	2	078247

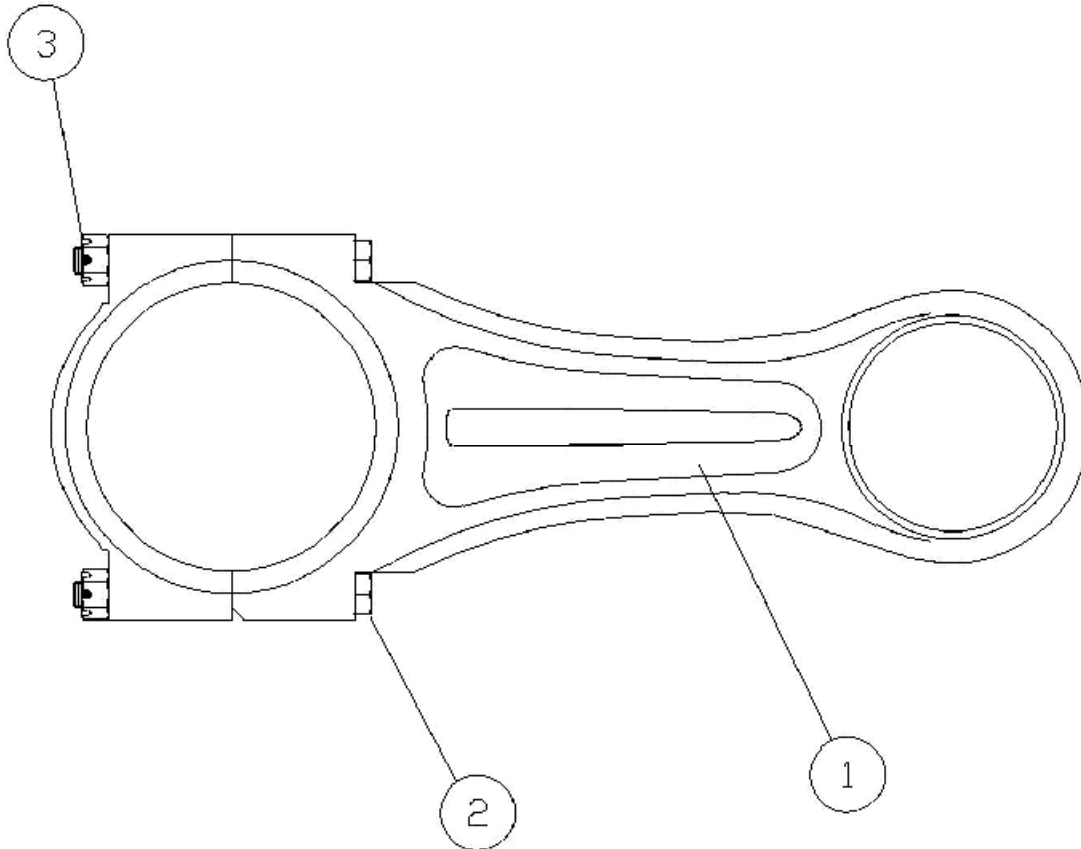
GD-2500Q POWER END ASSEMBLY (403FWF2003 and 404FWF2003)- CONTINUED

Ref No.	Name of Part	Qty.	Part No.
34	PINION GEAR OPTIONS: (NEXT 2 ITEMS)		
	PINION GEAR, 6.353:1 SPLINED OPTION	1	PP1008063
	PINION GEAR, 6.353:1 KEYED OPTION (*Requires Item #500)	1	PP1006636
35	GASKET, PINION SHAFT SEAL RETAINER	1	065259
36	CARRIER, PINION SHAFT SEAL	1	300THD1148
37	SEAL, PINION SHAFT	1	60G60
38	ROLLER BEARING	2	VP1010746
39	HOUSING, PINION BEARING	2	300FWF006
40	CAP, FILTER BREATHER	1	081261
41	HOSE ASSEMBLY	5	082277
42	HOSE ASSEMBLY	6	082283
43	GASKET, BULL GEAR HOUSING	2	351662
44	SET SCREW	2	26029
45	KEY, BULL GEAR	2	100033
46	HEX CAP SCREW	6	029236
47	HEX CAP SCREW	6	029237
48	HEX CAP SCREW	8	029235
49	CAP SCREW	8	454VP034-006
50	SCREW, FLANGED HEAD	90	75K48
51	CAP SCREW	30	103295
52	CAP SCREW	32	75P55
53	ROUND HEAD SCREW	15	120173
54	SCREW, FLANGED HEAD	78	75LM51
56	PIPE PLUG	2	64AA1
60	HOSE ASSEMBLY, ROTARY UNION TO LUBE PIPE	2	082281
61	RETAINER PLATE	5	PP1004127
62	NAME PLATE (Not Shown)	1	083105
63	SCREW, DRIVE NAME PLATE (Not Shown)	4	75LM199
65	MAIN BEARING (Fixed)	2	301THD1466
66	PLUG, ALLEN HEAD	5	103370
68	COVER, GEAR INSPECTION	2	075256
69	GASKET, GEAR INSPECTION COVER	2	065257
70	BEARING RETAINER	2	PP1005223
71	SCREW, FLAT SOCKET HEAD	10	75K28
72	COUPLING, PIPE	2	64BK6

GD-2500Q POWER END ASSEMBLY (403FWF2003 and 404FWF2003)- CONTINUED

Ref No.	Name of Part	Qty.	Part No.
73	TEE, 1" NPT X ½" NPT REDUCING	2	082268
74	PIPE NIPPLE	2	63H11
75	ADAPTOR, NPT TO JIC	2	082274
76	SPRAY NOZZLE	2	082244
77	RETAINING RING, MAIN BEARING INSIDE	2	926SH01-1
80	NIPPLE, PIPE	6	082271
81	ADAPTER, NPT TO JIC	13	082275
82	ELBOW, NPT TO JIC 45 DEGREE	6	29Z229
83	ELBOW, 90 DEGREE NPT TO JIC (Not Shown)	7	5018198
84	SET SCREW	6	76F3
85	PIPE PLUG	2	415649000
88	HOSE ASSEMBLY, PINION SPRAY NOZZLE (Not Shown)	2	082280
92	SHIM SET, PINION 0.005" (Not Shown)	4	PP1005668
93	SHIM SET, PINION 0.015" (Not Shown)	2	PP1005669
94	SHIM SET, PINION 0.030" (Not Shown)	2	PP1005670
100	COVER, GEAR HOUSING (*Included in Item #1)	2	075245
101	REAR COVER (*Included in Item #1)	1	301FWF225
102	DOWEL PIN, FRAME COVER (*Included in Item #1 – Not Shown)	6	62M82
200	STAY ROD OPTIONS: (NEXT 2 ITEMS)		
	STAY ROD (*Standard)	20	300THD409
	STAY ROD (*Heavy Duty – Not Shown)	20	PP1000477
201	HEX NUT	20	50AW55
400	TACK DRIVE HOUSING (Optional – Not Shown)	1	100207
401	TACK DRIVE HOUSING GASKET (Optional – Not Shown)	1	100208
402	TACK DRIVE CABLE (Optional – Not Shown)	1	100209
500	KEY, PINION (Used on keyed pinion option only)	1	103125

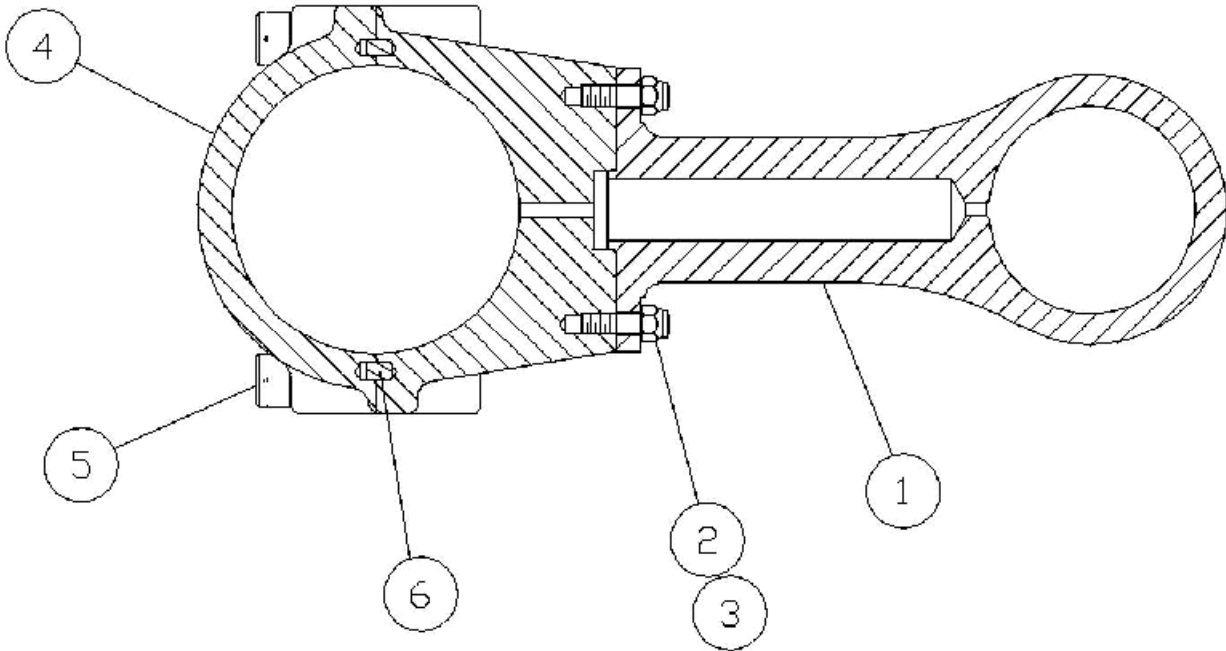
GD-2500Q POWER END ASSEMBLY (403FWF2003 and 404FWF2003)- CONTINUED



Ref No.	Name of Part	*Qty.	Part No.
1	ROD, CONNECTING	5	PP1000707
2	BOLT, CONNECTING ROD (INCLUDED IN ITEM 1)	20	100567
3	HEX NUT, CONNECTING ROD (INCLUDED IN ITEM 1)	20	103362
4	DOWEL PIN (NOT SHOWN, INCLUDED IN ITEM 1)	10	103617

***QTY PER COMPLETE PUMP ASSEMBLY**

GD-2500Q POWER END ASSEMBLY (403FWF2003 and 404FWF2003)- CONTINUED



Ref No.	Name of Part	*Qty.	Part No.
1	ROD, CONNECTING	5	PP1008516
2	STUD, CONNECTING ROD	30	PP1008434
3	FLEX LOC NUT, CONNECTING ROD	30	50AP10
4	BEARING HOUSING	5	PP1010328
5	BOLT, CONNECTING ROD (INCLUDED IN ITEM 4)	20	200TWD655
6	DOWEL PIN (INCLUDED IN ITEM 4)	10	634VP007-006

*QTY PER COMPLETE PUMP ASSEMBLY



For additional information contact your local representative or
Gardner Denver Inc.
4747 South 83rd East Avenue, Tulsa, OK 74145
PH: (918) 664-1151, (800) 637-8099
FAX: (918) 664-6225
www.gardnerdenver.com

Specifications subject to change without notice.
Copyright © 2001 Gardner Denver, Inc. Litho in U.S.A.